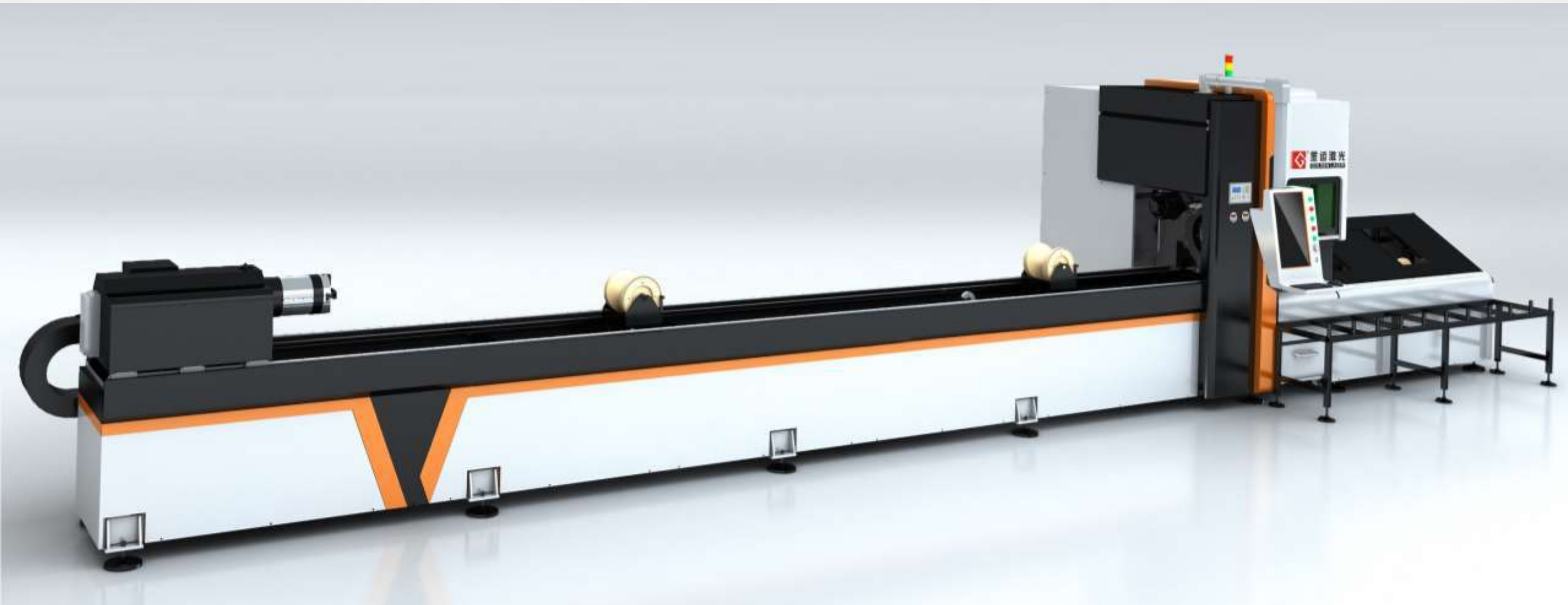


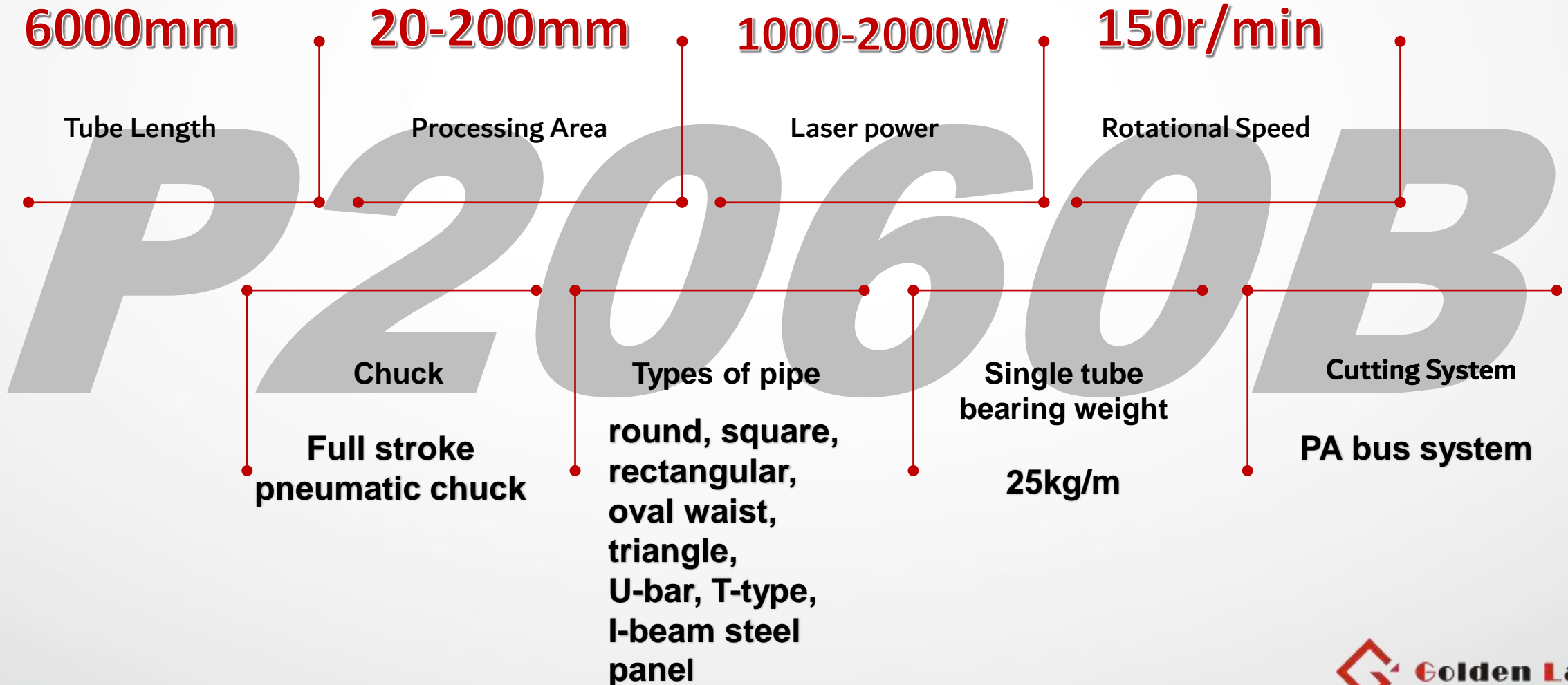


Economical Laser Tube Cutting Machine P2060B



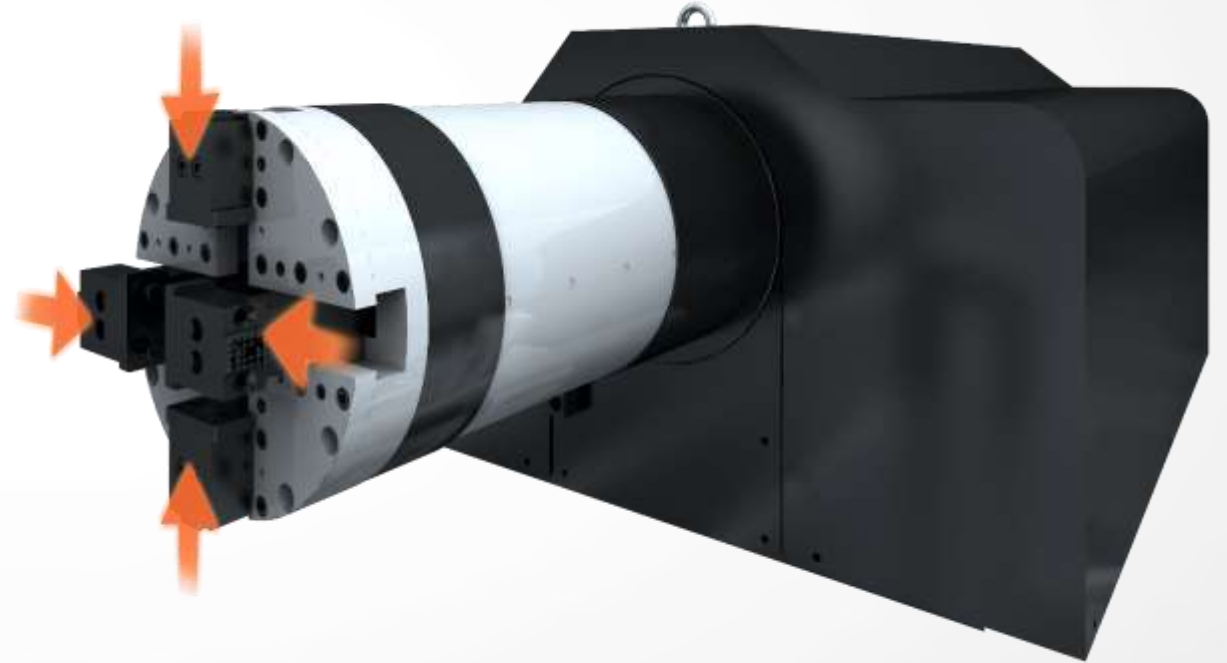
P2060B fiber laser tube cutting machine is a cost-effective and multi-function laser cutting machine.

Main Technical Parameter

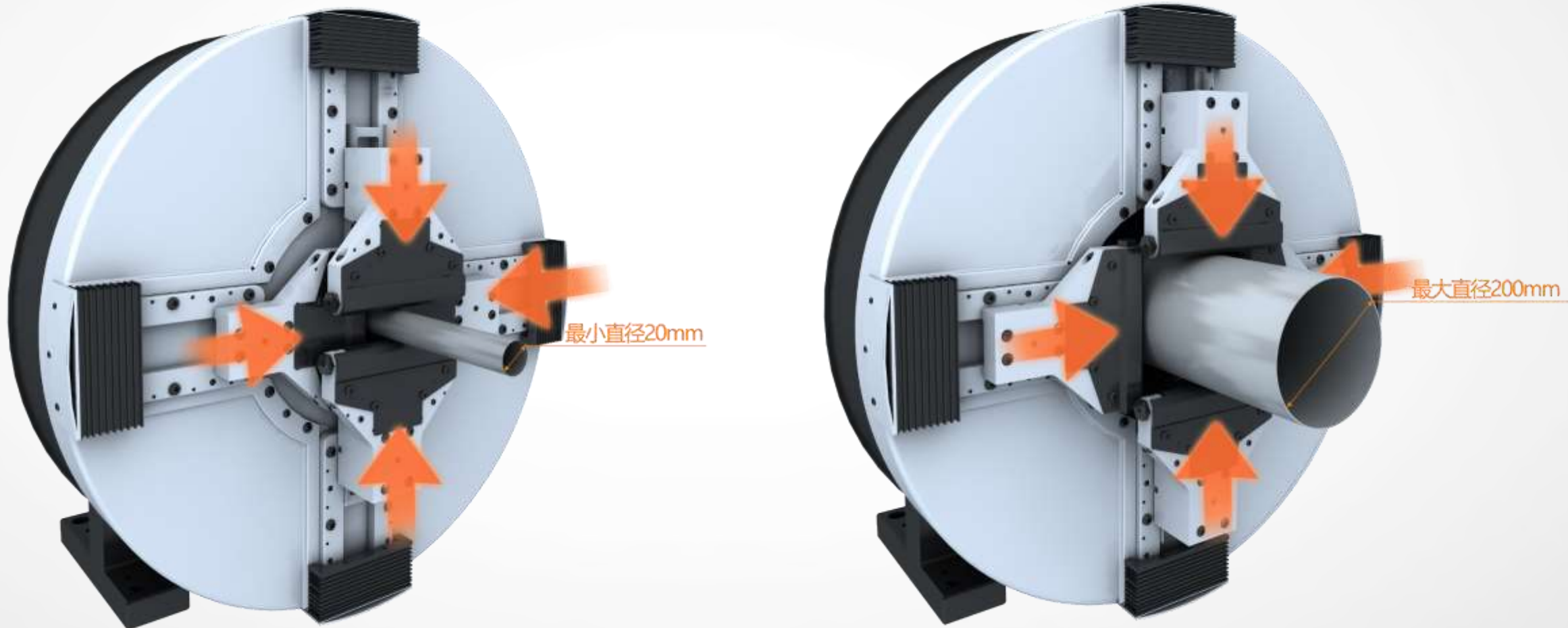


Machine Features: Pneumatic chuck

Pneumatic chuck: All pipe clamping adopts pneumatic chuck, and the pipe is clamped in place at one time. The clamping force can be adjusted, the small tube and thin tube are not easily deformed, and the heavy tube is stable.

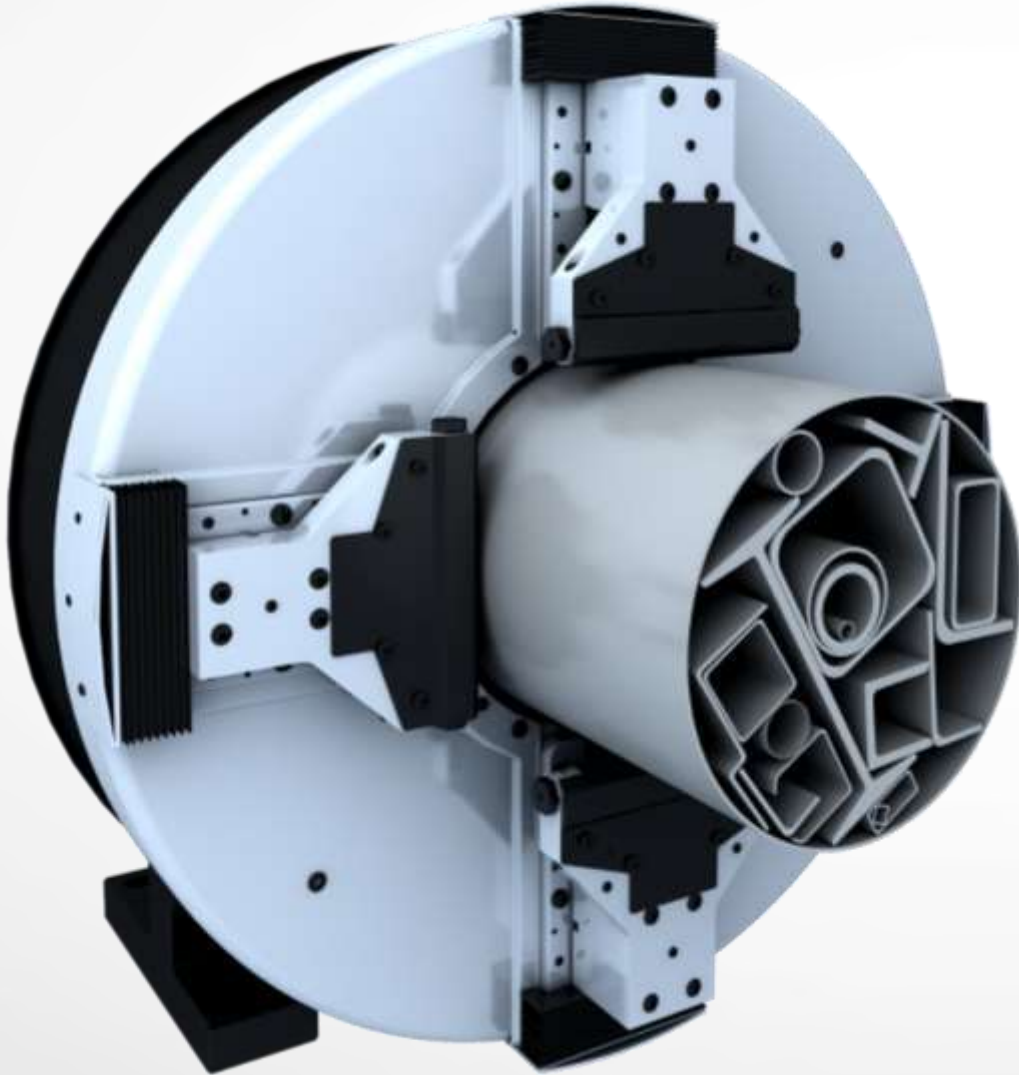


Machine Features: Tube processing area



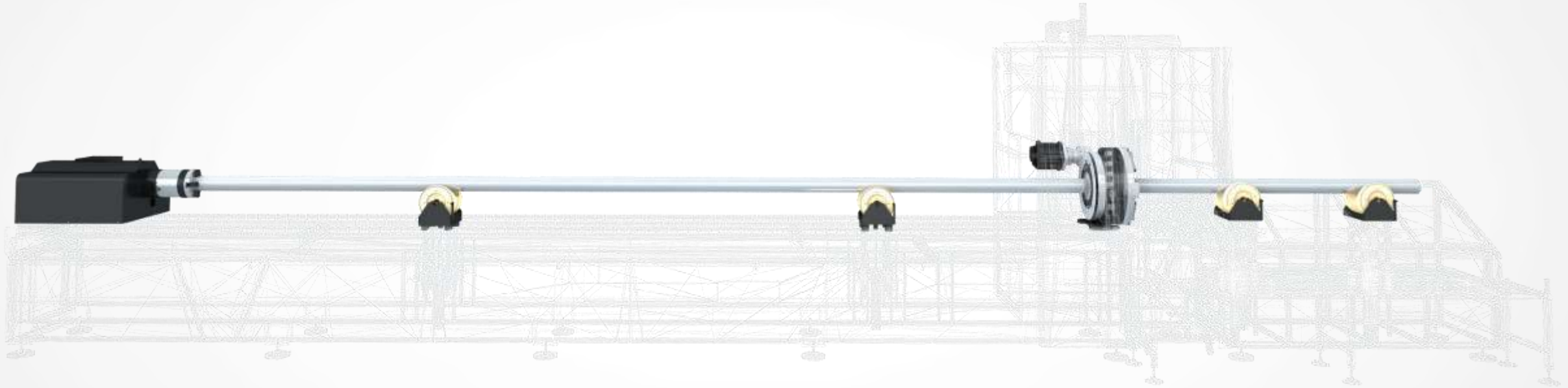
Processing length of the tube can be as long as 6 meters, and the tube diameter range is 20-200 mm.

Machine Features: Multi-function



Suitable for any type of pipe: it can cut square pipe, rectangular pipe, round pipe, waist round pipe, ellipse pipe, channel steel, angle iron, special-shaped pipe and other pipe types.

Machine Features: Double reducing wheel support device



Processing Area

Ensure more stability when cutting longer and thinner pipes, and avoid the influence of pipe bending deformation on cutting accuracy.

Tailing area 变径

To avoid the inaccurate machining accuracy caused by the heavy weight of the tail pipe during the processing of super long workpieces.

Machine Features: Professional tube cutting bus system



The FSCUT5000 bus system is matched with a high-speed servo motor, which makes the processing more stable and efficient, greatly reduces the equipment failure rate, and makes equipment maintenance easier. It also matches professional pipe nesting software.