

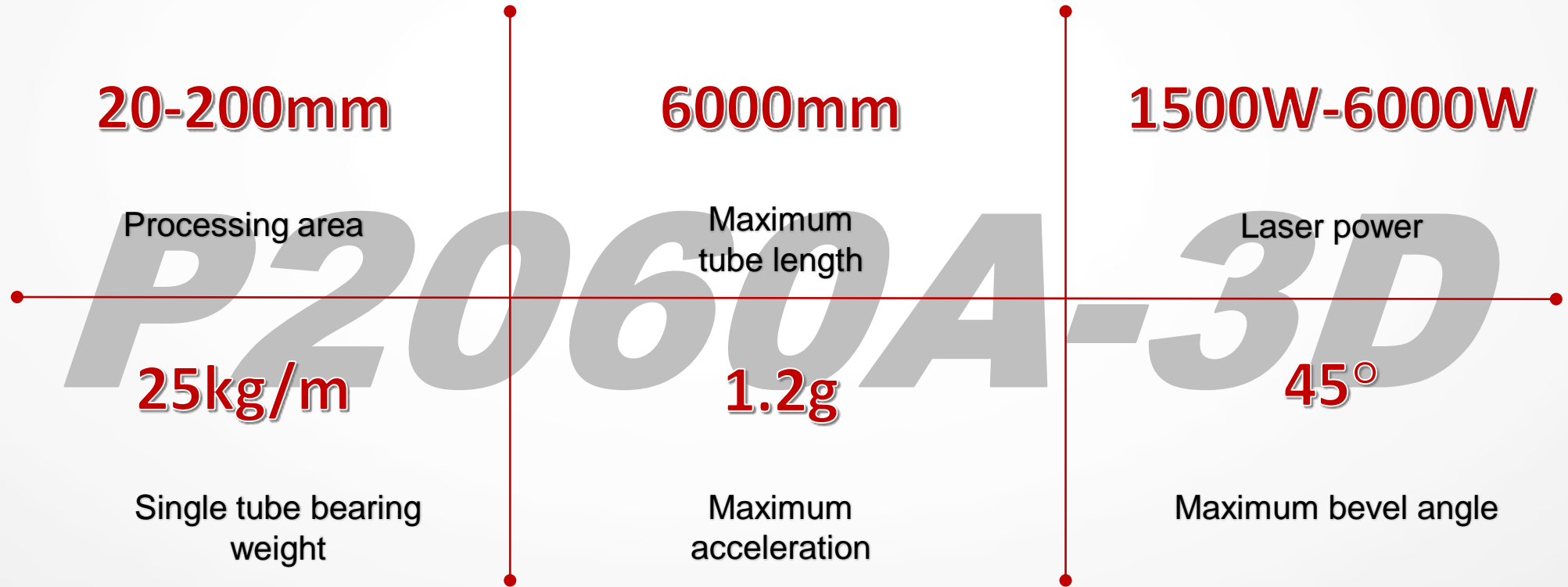
3D 5-axis laser tube cutting machine

Short Description

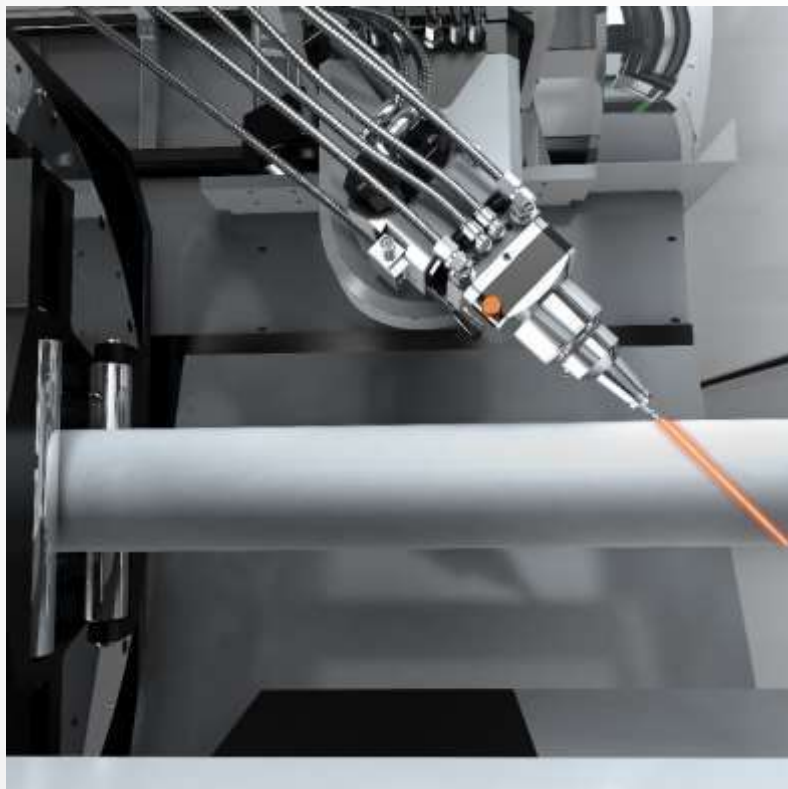


The perfect combination of the bevel cutting head custom-developed in Germany and the premium 5-axis numerical control system, tuned out the excellent performance of the 3D 5-axis smart cutting technology. The maximum 45° bevel angle, realize seamless tube splicing, meet the needs of medium and thick tube bevel welding.

Technical Parameters



Machine Features: Achieving More Different Cutting Angles

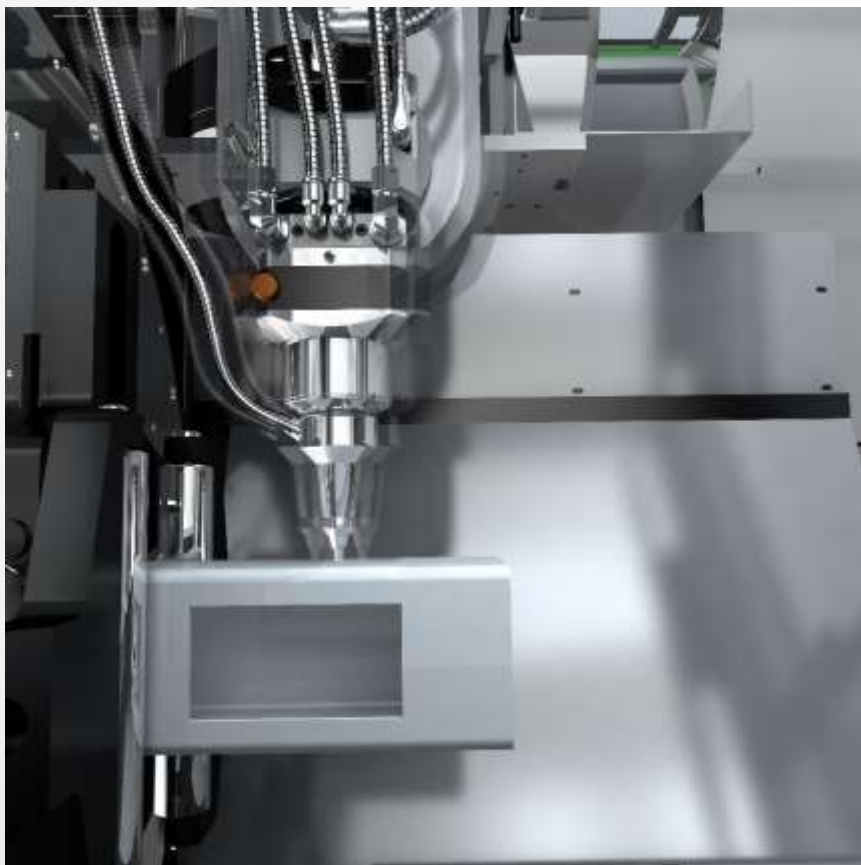


It is made with imported German technology. The maximum angle of the swing angle axis is $\pm 160^\circ$; the maximum operating speed is 170m/min, and the maximum acceleration is 1.2G.



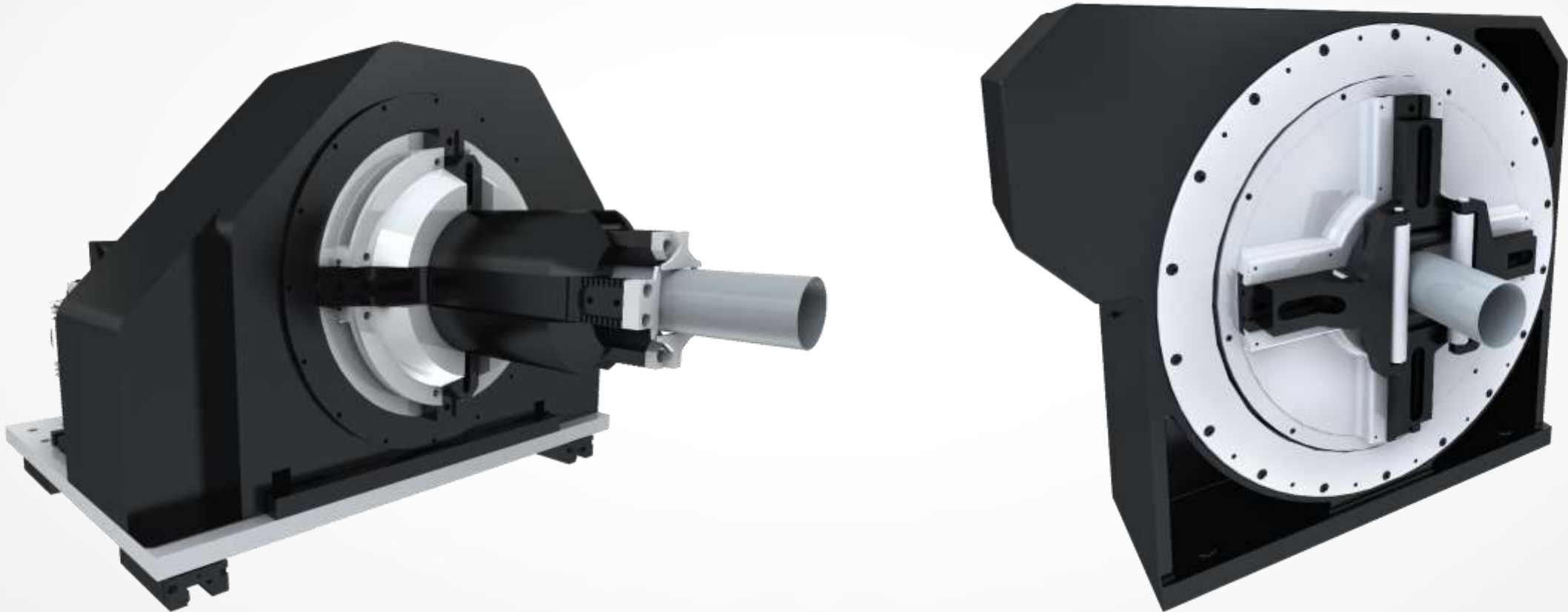
It can realize the bevel cutting ability of the pipe end face, and the pipe can be seamlessly spliced

Machine Features: Easy cutting of any tube



- Thanks to the RapidCut cutting function, the pipe does not need to move when the contour is smaller, so the cutting speed is faster.
- It can perform a maximum 45° bevel cutting to achieve the effect of section bevel angle and meet the needs of seamless splicing of the workpiece after cutting.

Machine Features: Intelligent Clamping Technology



Precise jaw clamping status, pipe size, real-time wireless data transmission, and self-adaptive adjustment of clamping force. The maximum speed can reach 120r/min.

Machine Features: Thickened plate welding machine bed



The thickness of the welding plate of the machine bed is up to 25 mm, and the weight of a single machine is up to 7 tons. Long service life and not easy to deform.

Machine Features: Tube Follow Support and Centering Structure

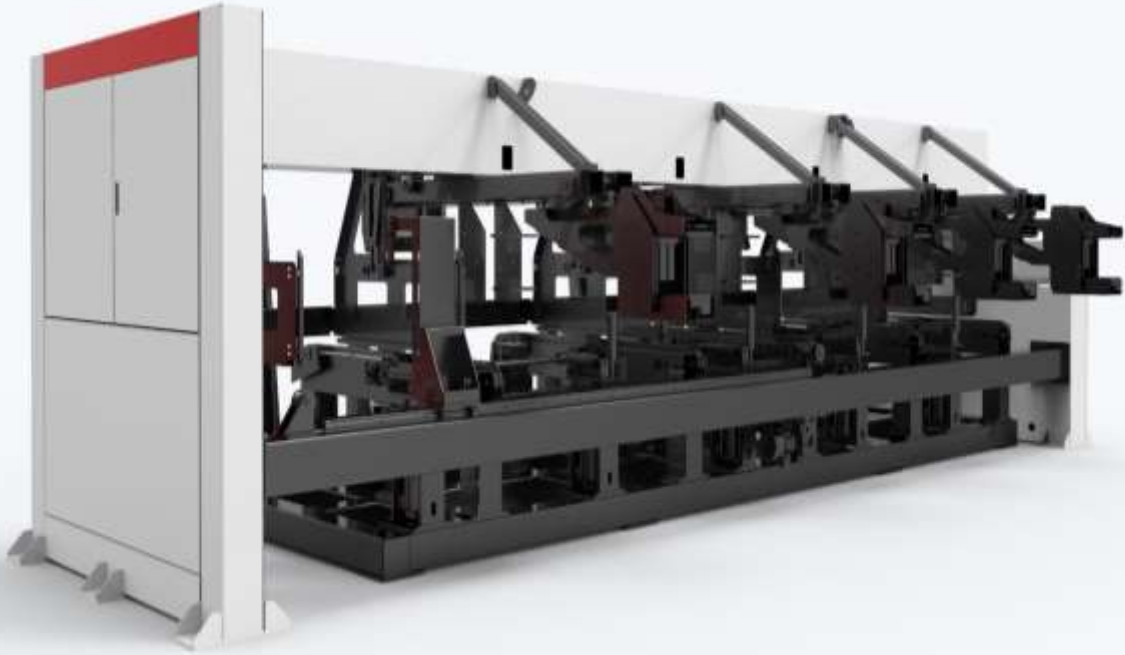


Rolling support, avoid tube sagging while cutting small tube and heavy tube;

Follow support, the support frame rises and falls automatically with the rotation of the pipe to avoid scratch of the tube surface;

Concave wheel centering structure to prevent tube deflection, to avoid collision between tube and chuck.

Machine Features: Full Automation, Less Labor Cost



**Automatic feeding system, bundle tubes can be intelligently sorted and single tube feeding is completed in one go;
Automatic sorting of finished products and waste, efficient and convenient; Seamless connection with loading and cutting, no waiting.**